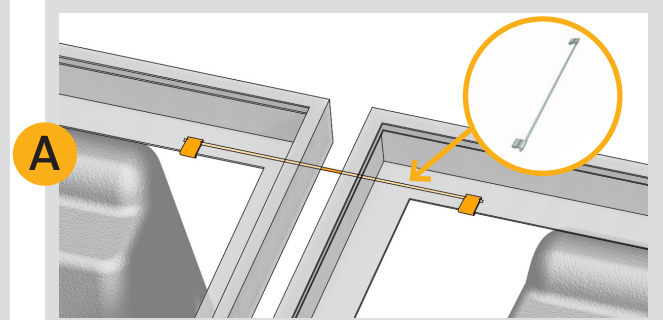
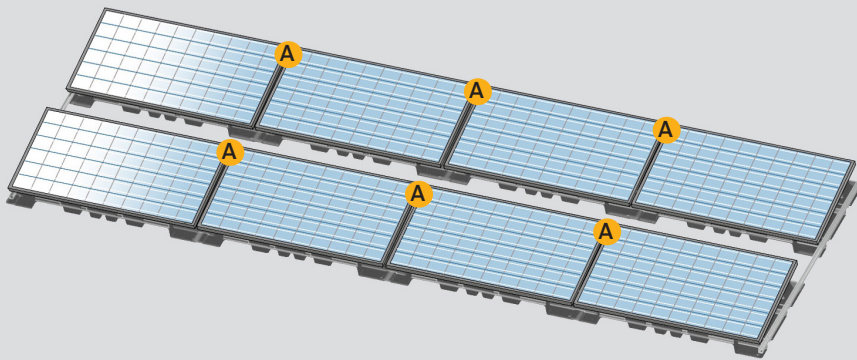


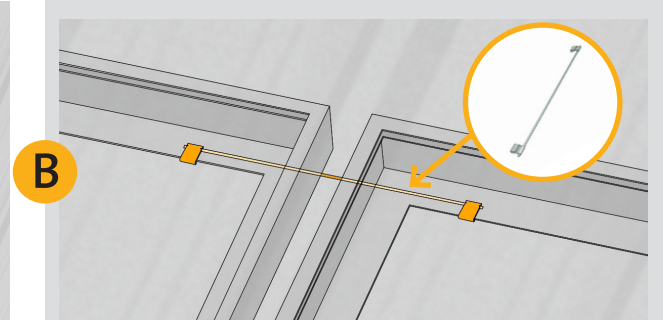
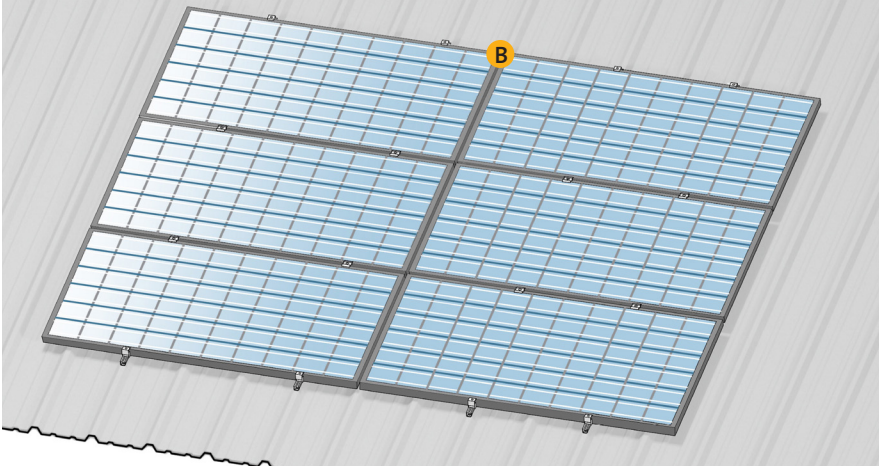
FEATURES

Renusol CS60



- Used to bond modules together in the east-west direction within a Renusol CS60 mounted array
- Can be installed on either the top or bottom of the module

Renusol MS



- Used to bond columns of modules together within a Renusol MS mounted array
- Can be installed on either the top or bottom of the array

Renusol offers a jumper that bonds between modules for the Renusol CS60 and Renusol MS mounting systems.

- Compatible with the almost all module types.
- UL recognized to 467 and 2703.
- Designed to penetrate the anodized coating on the module frame.
- Quickly slides onto module frame without the use of tools.
- See Renusol CS60 & Renusol MS Design Guides for more details.

About Renusol

Renusol America is a leading innovator in flat-roof and pitch-roofed mounting systems for PV modules in the US solar industry. Renusol America provides sales, service, and customer support from its headquarters in Atlanta, Georgia and through a network of authorized distributor partners across the country. The company is part of the Centrosolar Group, a publicly traded company on the German stock exchange, and is a wholly owned subsidiary of Renusol GmbH, a market leader in Europe with close to 1GW of solar power mounted on Renusol systems.

